

# KOBAN



ISO 5801:2008  
EN 60204-1:2006+A1:2009+AC:2010

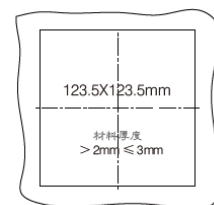
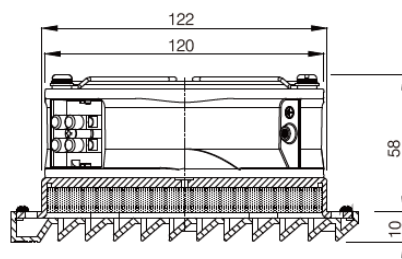
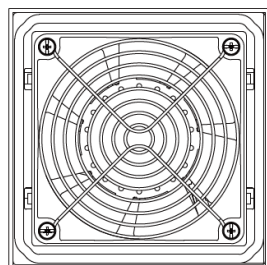
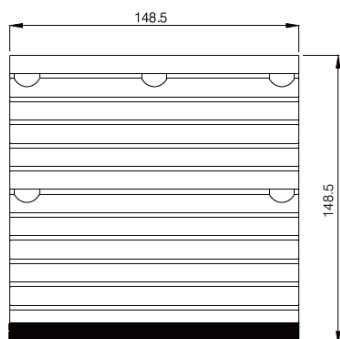


## CHARACTERISTICS

Description	Unit	KFNFL 156-145
Voltage	V	230 V
Frequency	Hz	50/60
Air throughput unimpeded air flow	m <sup>3</sup> /h	92 / 107
Rated current max.	A	0,12/0,10
Power	W	19/14
Noise level	dB (A)	32/34
Temperature range	°C	-20 a +65
Colour	-	RAL 7035
Protection category to EN 60529	-	IP55
Protection	-	Impedance protected
Speed	rpm	2800 / 3350
Weight	g	637
Life expectancy	h	60.000

## DIMENSIONS (mm)

Fan and filter	Exit filter
KFNFL 156-145 – Code: 0190107	KFL 156 – Code: 0190116



info@grupotemper.com  
tec@grupotemper.com  
www.grupotemper.com

Temper Energy International, S.L.  
Polígono Industrial, Nave 18, E-33199 Granda Siero, Asturias, Spain  
T: +34 985 793 204 / F: +34 985 986 341